



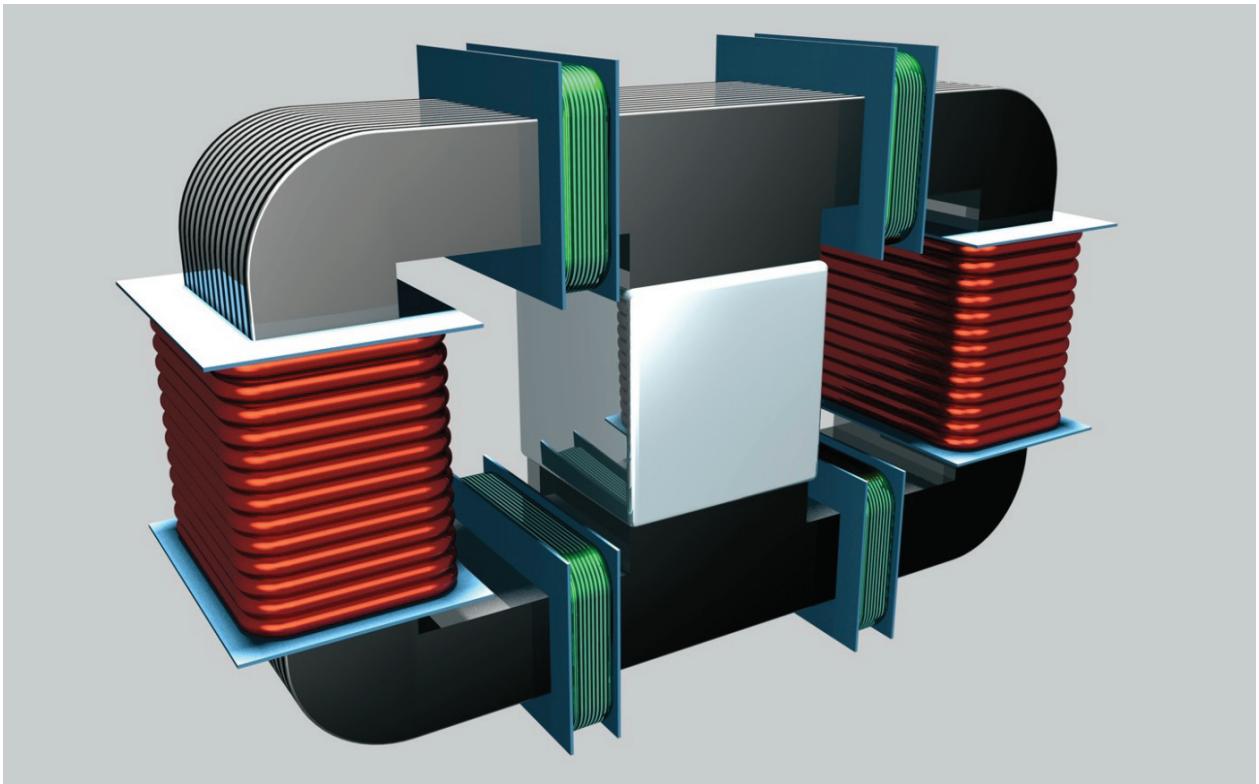
World Improvement Through The Spirit **MINISTRIES**

A Society of Ministers, Scientists and Engineers in Service to All Mankind providing True Solutions in Tune with Nature for a Return to a Clean, Healthy, Spirit-filled World

Visit our Website
www.witts.ws

Presents

The Flux Switch Transformer

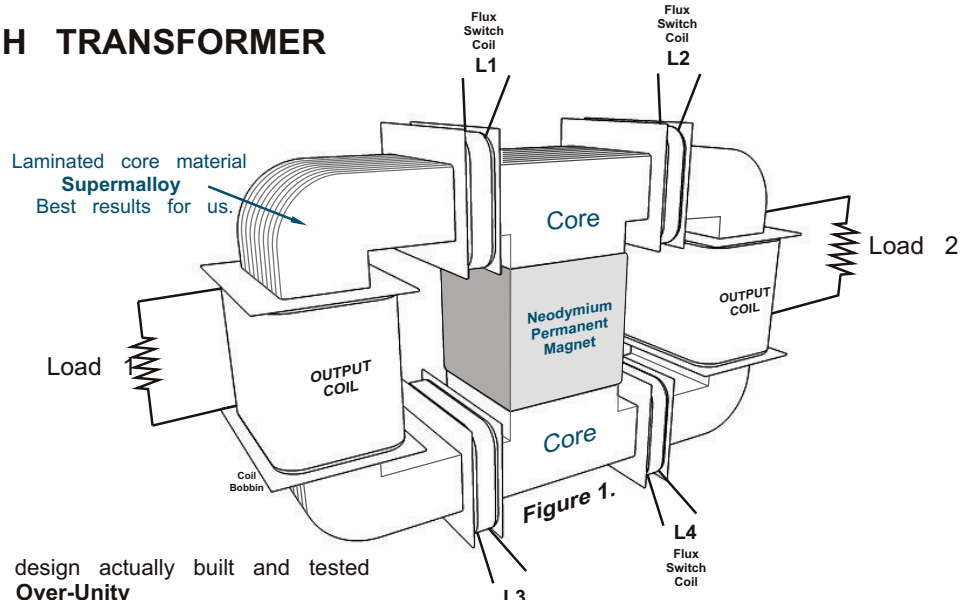


Electricity and Electrical devices CAN KILL YOU!

© 2009 WITTS Ministries --- Page 1 of 5

WITTS World Improvement Through The Spirit Ministries
TITLE: Flux Switch Transformer
DSN:
DWG:
APP:
ISS:

FLUX SWITCH TRANSFORMER



Actual Design

Figure 1 depicts a design actually built and tested at approximately **325% Over-Unity**

Figure 2 depicts a possibly easier design using a tape wound core, (to date this alternative design has not yet been) built by us

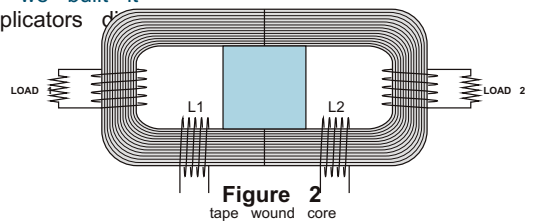
We are presenting it here because tape wound cores are easier to find and easier to buy. We can make magnets of any size or shape for you

This design may work fine with only two Flux Switches.

And this may be true with all the Flux Switch Transformers. (presenting four switches in Figure 1 because that is the way we built it

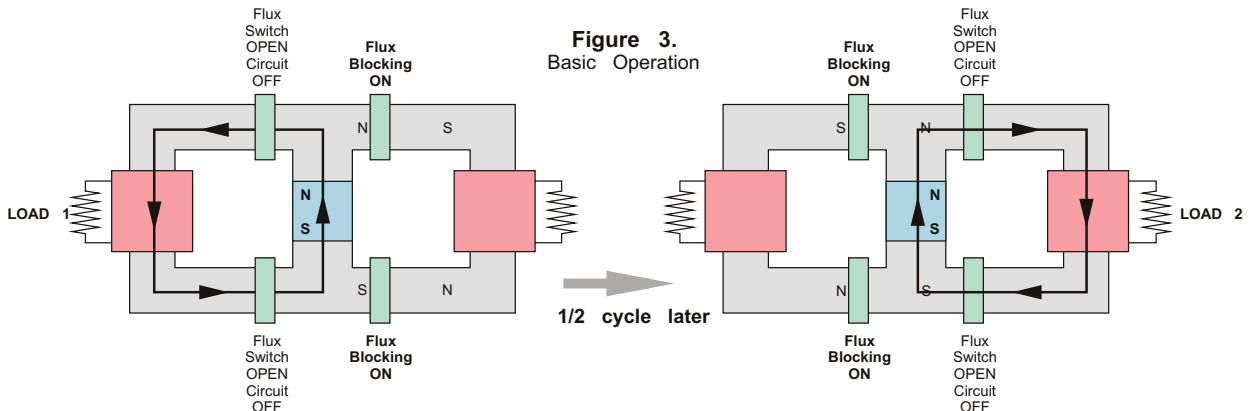
We did not try it with only two Flux Switches. But some replicators do and they report it worked!

- Flux Switch Coils L1,2,3,4 wound with 300 turns of AWG #26 Quantum Shield wire
- Output Coils wound with 20 turns of AWG #12 Quantum Shield wire



IMPORTANT NOTE on all these designs, High Frequency is better than Low Frequency

Figure 3 depicts and explains the basic operational concept. You are switching the Flux of a Neodymium Permanent Magnet from one MAGNETIC circuit to the other MAGNETIC circuit. Switching takes place at the Resonant Frequency of the core material. (Supermalloy core) SuperMalloy is the core material that produced the highest over-unity results in our prototypes (approximately 325%)



WITTS World Improvement Through The Spirit Ministries	
TITLE: Flux Switch Transformer	
DSN:	
DWG:	
APP:	
ISS:	

Electricity and Electrical devices CAN KILL YOU!

FLUX SWITCH TRANSFORMER

Point 1.
Use Neodymium magnets. The stronger, the better.

NOTE: The Notations L1, L2, L3, L4 are synonymous with Flux Switches 1, 2, 3, 4

Point 2.
There are many possible variations in the design, and many possible frequencies. You are always looking for the best frequency for the core you are working with! (the best frequency is the frequency with the highest Q.) WITTS ministries has been building Flux Switch Transformers since the 1960's. And about one out of 5 have tested (we built about 56 separate flux switch transformers before we decided to give this technology away in the late 1980's)

Point 3.
We will do our best to include all the important points in these plans. If after intense study, you are unclear about 1 or 2, we offer a free half hour consultation, with any donation of \$100 US or more. If you are unclear about many I would suggest college, or better yet, get a job where they build transformers for a few months. It's amazing how hard work clears up confusion that has plagued people for years. Also, you are welcome to consult with us as much as you like, just make the appropriate donation ahead of time.

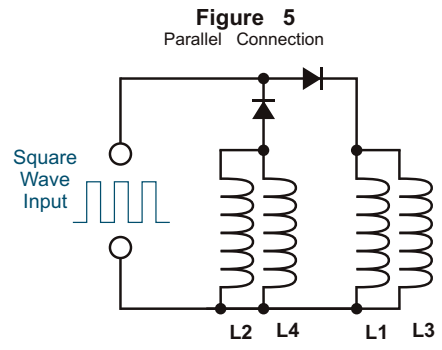
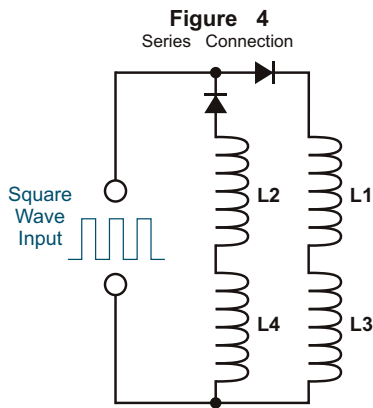


Figure 4 shows the flux switches wired in series
Figure 5 shows the flux switches wired in parallel. Parallel will give you more input and more output.

Use Ultra Fast Diodes. With the lowest voltage drop you can find.
Square wave is the best input, but sign wave is optional. And it is a different technology.

Point 4.
Our best over-unity core measured 325% efficiency on the best tests. Please keep in mind that any electrical device has many influences and parameters that influence efficiency. For example, almost every motor on Earth is Zero % Efficient WHEN IT IS STALLED. (Stopped under load) (overloaded)

Our Best core was made of SuperMalloy, and measured 4 inches long by 3 inches high by 1.5 inches thick. (actual core size is not critical the Resonant Frequency of the core material IS important.)
Our Supermalloy core material resonated at 7800 Hz.

Point 5.
Flux Switches L1 - L4 on our best design, are wound with 300 turns of #26 gauge wire

As with most over-unity devices, you may start pulling in Quantum Energy.
SO BUY QUANTUM SHIELD MAGNET WIRE START WITH IT is made for Quantum Energy devices.

Ask for it by name at Belden Wire Company or better prices are found, sometimes at ESSEX Wire Company. These are basically the only two companies on Earth, that make magnet wire. We know about Quantum Shield magnet wire, because we invented it. We could not sell the process, so we GAVE it to both of these companies, simultaneously, as The Lord directed us to do so. It's the only wire, in mass production, that holds up well to Quantum Energy.

Electricity and Electrical devices CAN KILL YOU!

WITTS World Improvement Through The Spirit Ministries	
TITLE: Flux Switch Transformer	
DSN:	
DWG:	
APP:	
ISS:	

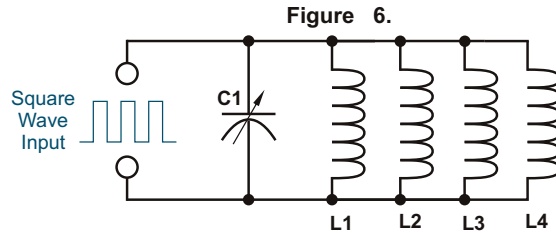
FLUX SWITCH TRANSFORMER

Point 6.

The Output coils in our best design, are wound with of #12 gauge, Quantum Shield wire
 If you want higher voltage, use more turns of smaller gauge wire.

Point 7.

We don't want to confuse you, but we have decided to insert a BONUS TECHNOLOGY here.
 Donate for one, and you are getting 2! Our experiments and tests showed over-unity with and without the diodes!
 But when you do not use diodes, you use Resonance. Not just in the core but in each of the Flux Switches as well.
 Check your Q at Resonance. The higher the Q, the better the output! (Vary Frequency and/or Capacitance for best
 See Fig 6 below.



This is the circuit WITHOUT the diodes. **Capacitor.** Use Resonance.
 This is a different technology. But it is still a Flux Switch Transformer.

Point 8.

You will need to experiment to find the best Load for the best over-unity. With Quantum Energy,
 generally, the higher resistance of the load, the more energy, but impedance matching is also important.
 So, there is a balance between these two things and some experimentation will be required on this point.

Point 9.

The simplest Input source is a Signal Generator fed through an audio power amplifier. There are many other options.

Point 10.

Replications & Additional Technical Data:

It might be possible to find other replications online.
 One of the replicators of this machine was Jean Lois Naudin <http://jnaudin.free.fr/meg/meg.htm>
 He is the one who reported 600% efficiency! That's a C.O.P. of 60!
 technology from us in the 1990's, Changed the name to M.E.G. it then, he is the one that gave it to Naudin.
 So, that's how it is probably still listed on some websites, including JLN Labs. (if it is still up whenever you read the

Point 11.

Care should be taken to get all the polarities of the Flux Switches correct. Check with your diodes in place and energize the
 circuit using a very small battery, like a AAA or smaller battery. Then use a compass to see which Flux Switches are
 Observe if the polarities are correct or not. Then reverse the battery and check again.

When everything is correct, you are ready to hook up the input. **Do not hurry this point!**
 Make sure everything is correct with the battery and a compass first.
 -- The two Flux Switches on the right half should both be opposing the magnet (ON), while the other two switches
 Now reverse the battery polarity and the opposite must be true.
 -- The two Flux Switches on the left half should both be opposing the magnet (ON), while the other two switches
 The circuit works in opposition only, not in attraction. If you get this wrong, or one backwards, it will not work properly.

The Flux Switch in a magnetic circuit works very similarly to a Diode in an electrical circuit.
 They each allow their respective energies to flow in only one direction and they block energy from flowing in the other

Point 11a.

Start with your inputs low! Start testing efficiencies, record your data, write everything down, chart graphs, try many loads
 Start with low power input and gradually work up to higher power inputs. You will get a "feel" for it after a while.

REMEMBER ... Volts X Amps = Watts only...under the 2 following circumstances.

1. In all pure DC loads.
2. In AC, ONLY WHEN YOUR LOAD IS NON-REACTIVE. $\cos \phi = 1$ -- NOT RESISTIVE AND NOT CAPACITIVE

Your Input loads are INDUCTORS. So use a Watt meter. Or calculate Phase Angle.
 Volts X Amps X Phase Angle = WATTHOURS

Electricity and Electrical devices CAN KILL YOU!

WITTS World Improvement Through The Spirit Ministries	
TITLE: Flux Switch Transformer	
DSN:	
DWG:	
APP:	
ISS:	

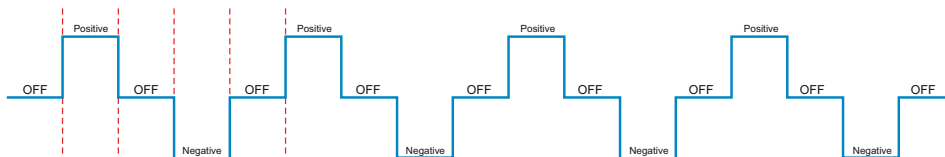
FLUX SWITCH TRANSFORMER

Point 12.

These plans are offered and given away as a Free Gift to you, for Educational Purposes Only. If you do build this, you build at your own risk. Don't try this at home!

Point 13.

When running your machine in standard mode (with diodes), for maximum efficiency, try varying your duty cycle to about 50%. In other words you are putting a **positive** square wave pulse, followed by an OFF time of no input of equal duration, followed by a **negative** square wave pulse of equal duration, followed by another OFF time of equal duration, then repeat. And so on. (this can be accomplished on many signal generators, simply by turning the duty cycle knob to about 50%)



Point 14.

If you do get over 300% efficiency, WELCOME TO THE CLUB! Please email us and let us know. (Include your phone number) We would love to have a copy of your testimony, with your permission, and even put you on our show. Also we have bonus gifts for those that are surrendered enough to get to that point! The bonus gifts, you will find out what they are. But, I will give you a hint. It's something you will like

Point 15.

In preparation of this information, it is assumed that the reader knows the basics of electricity and transformer construction. So, if you don't know, or you have other questions, you may want a few consultations. We are available. Just see the donation page on our website www.witts.ws

Point 16.

GOD BLESS YOU!

Tom Zolfers ... first testing and testimonial.

After viewing several demonstrations made by Sir Timothy of WITTS Ministries, I have come to believe that they, WITTS, have made viable discoveries that may prevent the impending energy crisis in an environmentally friendly manner.

TOM Z.

M.S. M.E. Master of Science Master of Engineering

Replications & Additional Technical Data:

<http://jnaudin.free.fr/meg/meg.htm>

WITTS World Improvement Through The Spirit Ministries	
TITLE:	Flux Switch Transformer
DSN:	
DWG:	
APP:	
ISS:	

Electricity and Electrical devices CAN KILL YOU!

© 2009 WITTS Ministries --- Page 5 of 5