

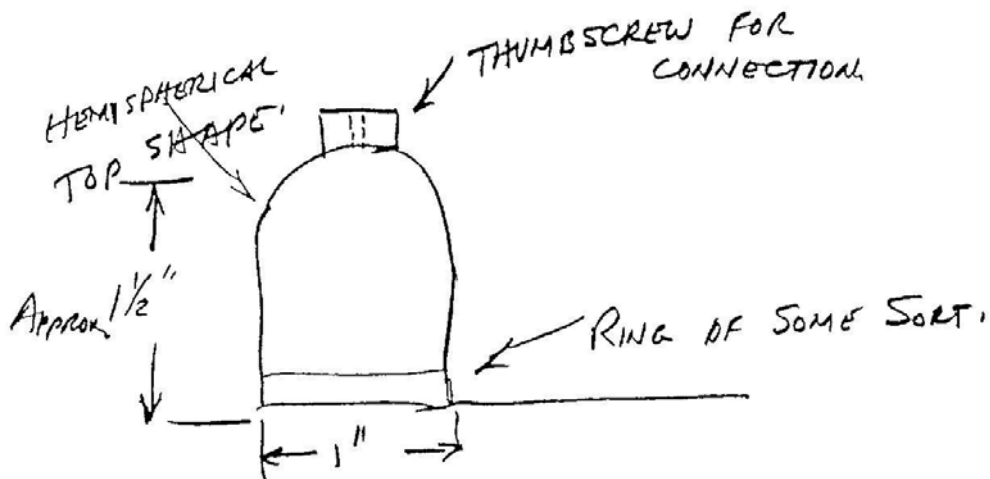
BRO. NOFFSINGERS DESCRIPTION OF SYSTEM
THREE PARTS OR DIVISIONS. SAYS MORAY'S
BLOCK DIAGRAM SOMEWHAT CORRECT BUT SHOW JOB
ALSO.

PART THAT RECEIVED RADIATIONS TO CREATE FIELD
WAS CRITICAL. TUNING WAS SAID TO BE VERY SHARP
IF OFF AS MUCH AS 10^{-9} SEC WOULD BE TOO MUCH

FURTHER DISCUSSION REVEALED THAT THIS WAS DUE
TO ENERGY COMING IN, IN VERY SPECIFIC NARROW
BANDS OR AT VERY SPECIFIC NARROW FREQUENCIES.
THERE WERE MANY FREQS OR PLACES WHERE
IT COULD BE TUNED IN. BUT EACH PLACE WAS
VERY SHARP AND NARROW. FREQS HE WOULDN'T
GIVE BUT SAID THERE WERE MANY. MORAY
SAID THAT MOTORS MAY HAVE TO RUN AT
6 KHz. NOFFSINGER SAID YES BUT OTHERS ALSO.

THE DETECTOR IS BROAD IN ITS RESPONSE.
WORKS FOR ALL THE FREQS. BUT IT MUST
HAVE ITS RESPONSE PLOT,

BRO. NOFFSINGER'S DESCRIPTION OF DEVICE.



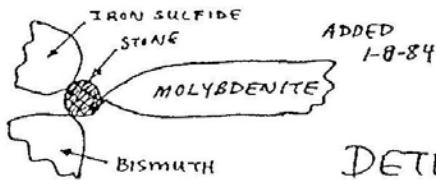
RADIATIONS? MAY EMIT X-RAY IF THINGS ARE NOT JUST RIGHT.

SIZE - DIA - LIKE A QUARTER
LENGTH - 1/2" APPROX

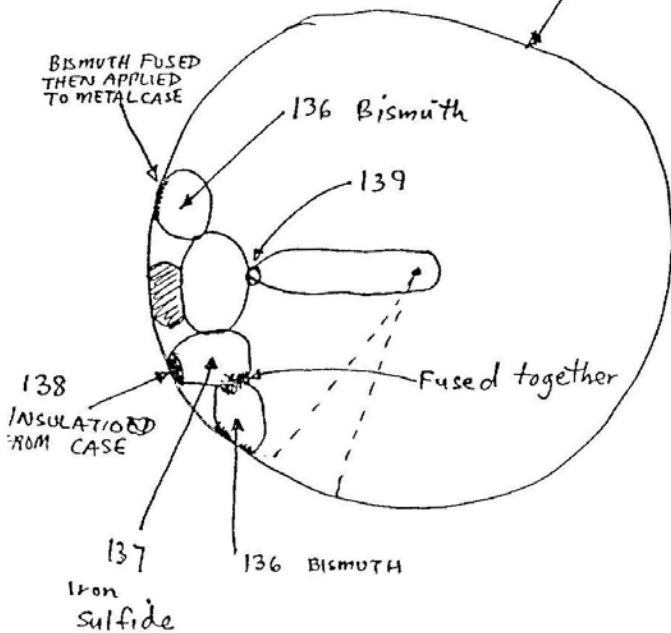
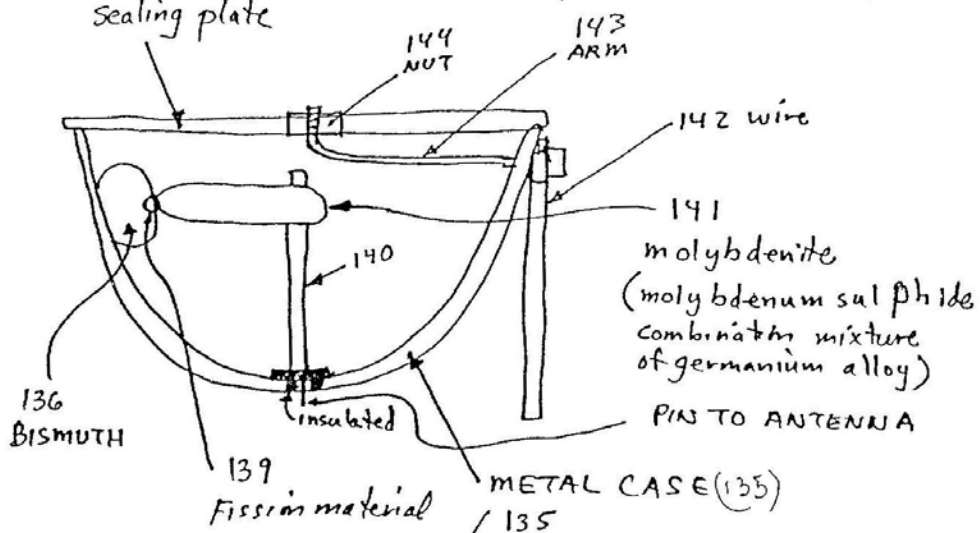
CHARACTERISTICS.

ALL MADE BY MORAY - FILLED WITH GAS. -
DONE CRUDELY BUT WORKS
MATERIAL WAS METAL BUT ALLOWED TO GET
TO SEMICONDUCTOR CHAR FOR FIELD IS APPLIED
ACROSS TUBE. (CONDUCTOR WOULD SHORT FIELD.)

1 TUBE FOR 50 KW. VOLTAGES ACROSS
AS HIGH AS 200KV? FREQ BROAD.



DETECTOR (MORAY VALVE)



FISSION MATERIAL

- Germanium
- triboluminescent Zinc
- Sodium Chloride, thermoluminescent

DETECTOR

1-8-84

⑤ 4th Edition

P. 130 Rounded stone at 139 contains (missing parts)

triboluminescent zink, and germanium pressed into a hard, rounded stone. This rounded stone is DELICATELY supported between the pieces of iron sulphide 137 and the upper piece of bismuth 136.

The stone has remarkable amplifying and rectifying properties. It maintains a higher temperature than its surroundings. It radiates α , β , and γ rays which produce an ionic reaction. It readily ionizes gases. Stone serves as a valve which allows energy waves to pass only in one direction at a time, i.e., from the antenna capacitor into the various circuits or from the circuits into the antenna capacitor without necessarily changing from H.F. or A.C. to D.C.

⑤ 5th Edition

p71 THE STONE
Rounded stone or pellets formed under high pressure and fused.

Combination contains: bismuth, iron sulfide, pure germanium metal, RADIUM CHLORIDE, THORIUM, URANIUM, triboluminescent zinc

The stone is supported(?) between other pellets but making firm but needle point like contact.

p. 131
4th Ed

Extending through the case 135 but insulated from it, is a metallic pin 140, this pin is connected to the antenna lead-in and carrying a piece of molybdenite (molybdenum sulphide or molybdenum metal combination of Moray mixture of the germanium alloy). This later contacts the stone 139.